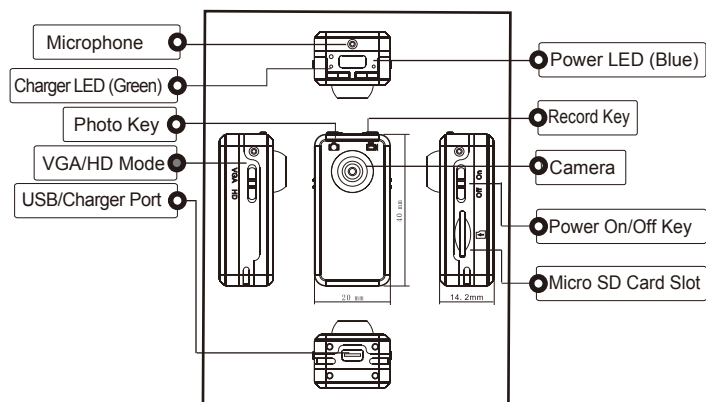
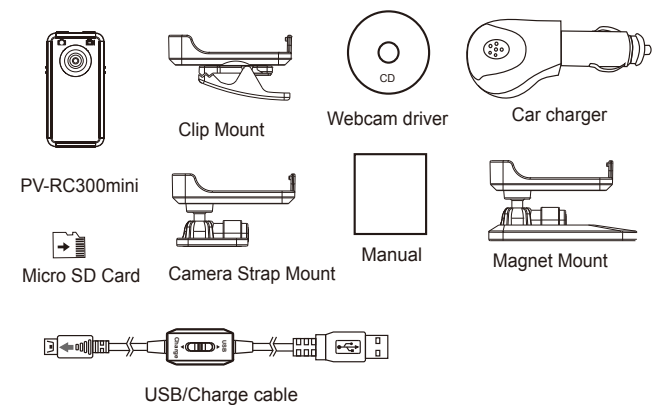


## 1. Introduction

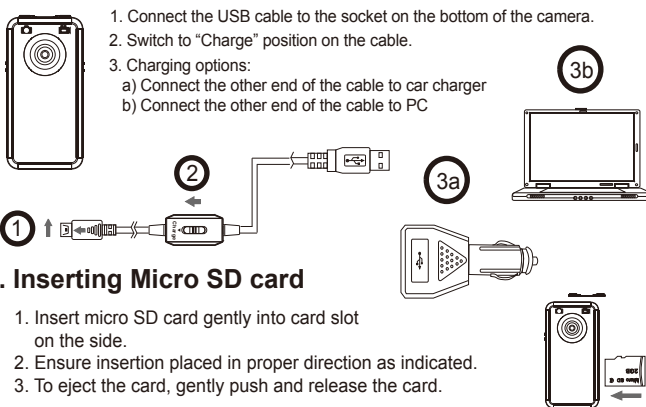


## 2. Package Content



(1)

## 3. Charging Battery



## 4. Inserting Micro SD card

1. Insert micro SD card gently into card slot on the side.
2. Ensure insertion placed in proper direction as indicated.
3. To eject the card, gently push and release the card.

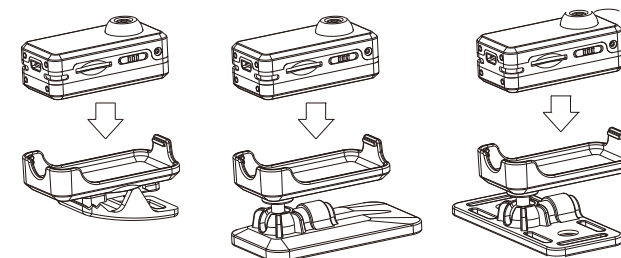
## 5. Date and Time Setting (for Windows XP)

1. Switch to USB position on the controller.
2. Right-click on Windows desktop. Choose Notepad to create a \*.txt file. Then double-click the text file.
3. If current time is 2009, March, 9th 14:00pm. Enter the date time information, 2009.03.09 14:00:00 with identical format. Space must be present in between date and time in 24-hour format.
4. Name the file as "settime.txt" and save.
5. Turn on again and connect it to the computer.

- To sync with Computer's Time:
1. Click on the Removable Drive > RTCRW.
  2. Click Set Host Time onto RTC.
  3. Shown message to indicate time setting is completed.

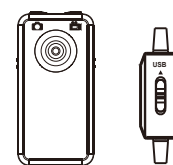
(2)

## 6. Covert Application



1. Clip Mount
2. Magnet Mount
3. Camera Strap Mount

## 7. Webcam Driver Installation



1. Install the webcam driver from the supplied CD-ROM. The file is located in the folder \Driver\Setup.
2. Turn on PV-RC300mini.
3. Connect PV-RC300mini with USB cable to computer.
4. Switch to USB position as indicated on the controller.
5. PV-RC300 is automatically detected as a webcam.
6. Double click on "My Computer". PV-RC300mini is then recognized as "Standard Camera".
7. Installation completed. Webcam is then ready to work.

(3)

V1.0

## 8. Accessing Webcam Function

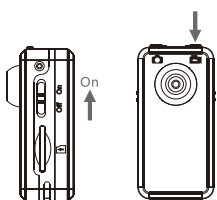
### Option (1)

1. Without microSD card inserted, connect PV-RC300mini to computer with USB cable.
2. After connection is established, turn on PV-RC300mini.
3. Turn on installed AMCap application and access webcam function.

### Option (2)

1. With microSD card inserted, turn on PV-RC300mini without cable connection.
2. Connect PV-RC300mini with USB cable.
3. Turn on installed AMCap and access webcam function.

## 9. Video Recording

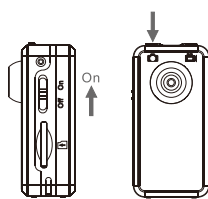


1. Select the preferred recording mode by sliding the VGA/HD switch to position.
2. Turn on PV-RC300mini.
3. Blue LED light on to indicate power on status.
4. Gently press the button on top of the unit once. Red LED light on to indicate recording status.
5. Gently press the button again. Red LED go out to indicate recording stop status.
6. Red LED flash to indicate memory card full status.

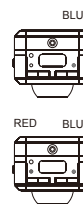


(4)

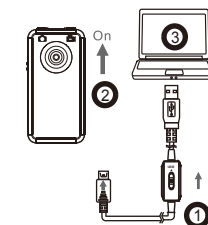
## 10. Photo Taking



1. Turn on PV-RC300mini.
2. Blue LED light on to indicate power on status.
3. Gently press the button on top of the unit once. Red LED light on in one second to indicate taking snapshot status.
4. When snapshot is taken and saved, Red LED goes out.



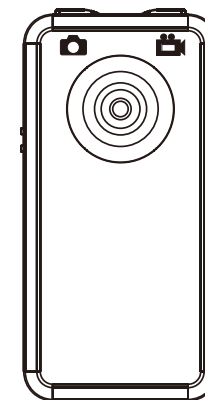
## 11. Retrieving Data



1. Connect PV-RC300mini with USB cable to computer without turn it on.
2. After connection is established, turn on PV-RC300mini.
3. PV-RC300mini is recognized as "removable drive".
4. Double-click on Removable Drive > DCIM.
5. Copy and paste recorded files to preferred location.
6. After data retrieved, must eject the removable drive before USB cable is unplugged.

(5)

## PV-RC300mini CamStick DVR Quick Guide



Law Enforcement Products Manufacturer

LawMate

V1.0