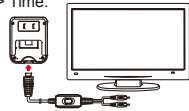


**Using DVR**

1. Plug-in DVR into wall outlet as shown in the illustration in Powering DVR section.
2. Connects DVR using A/V Cable to connect to TV or monitor.
3. Operates IR remote controller to access Main Menu and submenu via user interface shown on display. Note: IR remote control is required to aim the IR sensor on the A/V out cable.
4. Access setting menu: Main Menu > Recorder Setting
5. Two different recording modes: (1) Normal (2) Motion Detect
6. Unplug DVR from wall outlet after setting is completed. DVR saves the setting.
7. Plug-in DVR to wall outlet again to activate last saved setting.
8. DVR starts recording automatically when the DVR is plugged into wall outlet. Recording mode is set according to last change made on the Main Menu.

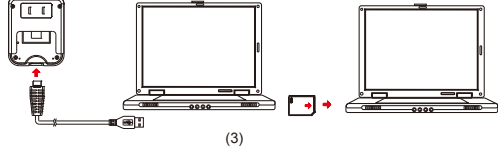
**NOTE**

Normal Recording is defined as continuously recording until memory storage is full. Motion Detect recording is defined as being triggered by any detected movement. Each video file is limited to 30 minutes recording in Normal Recording mode and 1min/3min/5min recording in Motion Detect recording mode. Selection can be made via user interface shown on display. i.e. Main Menu>Recorder Setting>Motion Detect> Time. File overwrite function is compatible to both Normal and Motion Detect Recording mode.



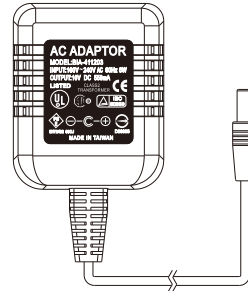
**Retrieving Video Footage**

1. Video file is stored in the SDHC Memory card.
2. There are two methods to retrieve video files.
  - (1) Using USB Cable to connect to computer
  - (2) Using SD card reader to read and write folder directory
3. Computer detects the storage and user may browse and operate the storage as typical folder directory. i.e. Rename, copy and paste, delete, duplicate, etc.



**PV-AC30**

**Video Recorder in Adapter Design Quick Guide**



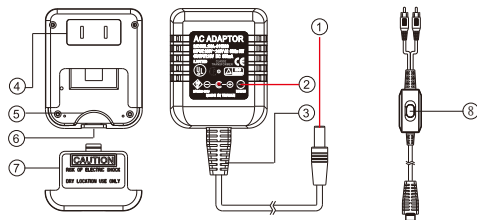
LawMate

Law Enforcement Product Manufacturer

V1.0

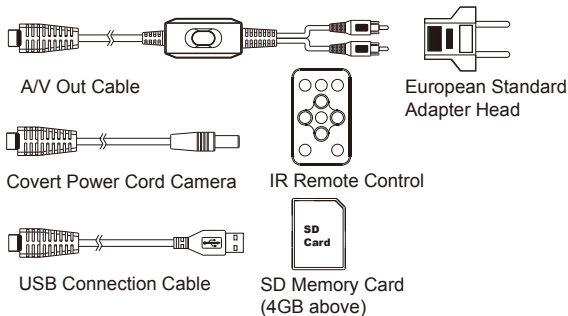
尺寸16CMx12cm

**Name and Parts**



- |                           |                        |
|---------------------------|------------------------|
| 1. Camera Lens            | 5. SD Card Slot        |
| 2. Microphone             | 6. Mini USB Port       |
| 3. Covert Power Cord      | 7. Bottom Covert Piece |
| 4. Two Prong Power Supply | 8. IR Sensor           |

**Package Content**



**Powering DVR**

1. This DVR is not powered by battery; instead, it is powered by two-prong wall outlet.
2. Plug-in DVR into wall outlet as shown in the illustration below.
3. DVR starts recording automatically in motion detection mode.



**NOTE:**

This product is also compatible with extension cord in order to adjust plug-in angle!

**DVR Installation**

- |   |   |
|---|---|
| <p><b>Step 1</b></p> <p>1. Slide the bottom covert piece in downward direction.</p> | <p><b>Step 4</b></p> <p>4. Insert 4GB storage above SD memory card into SD card slot.</p> |
| <p><b>Step 2</b></p> <p>2. Gently remove the covert piece completely.</p>           | <p><b>Step 5</b></p> <p>5. Insert the covert power cord into original position.</p>       |
| <p><b>Step 3</b></p> <p>3. Gently remove the covert power cord completely.</p>      | <p><b>Step 6</b></p> <p>6. Slide the bottom covert piece back to original position.</p>   |