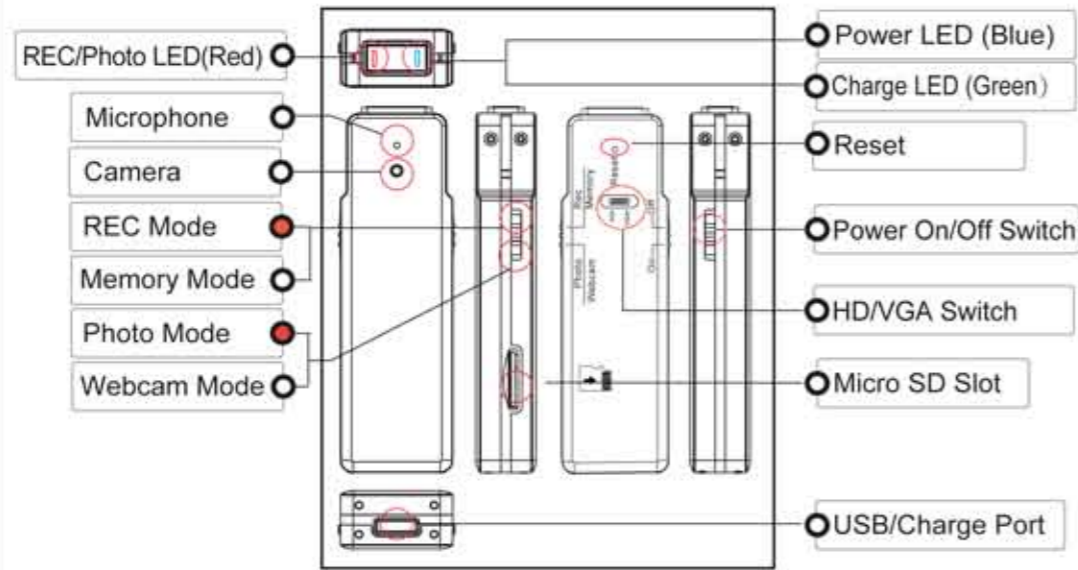
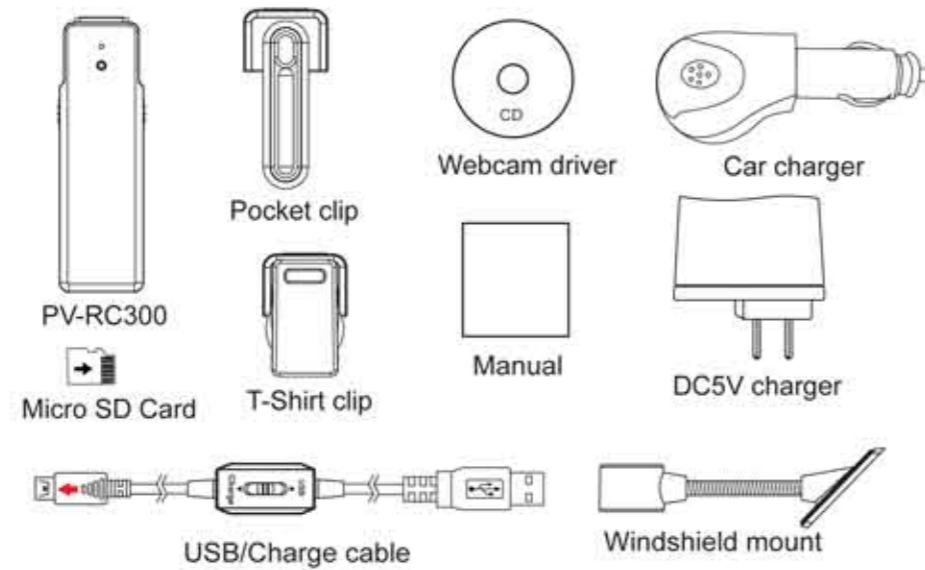


1. Introduction

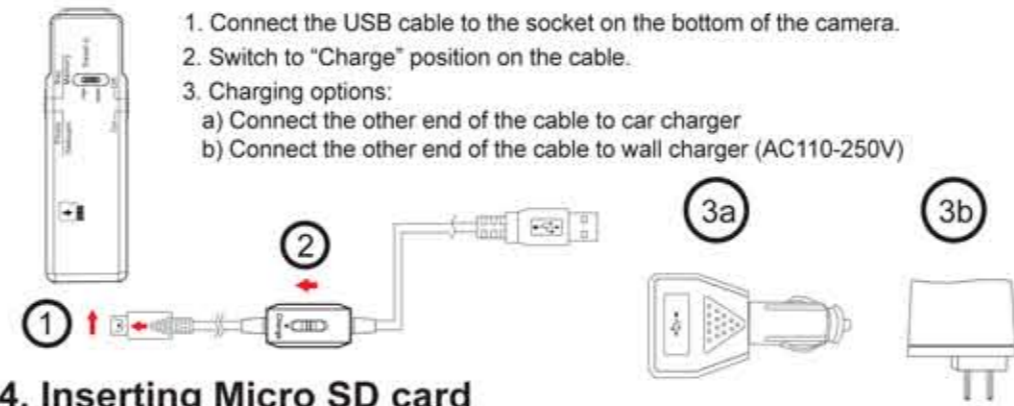


2. Package Content

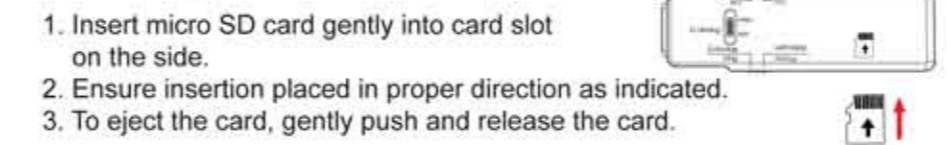


(1)

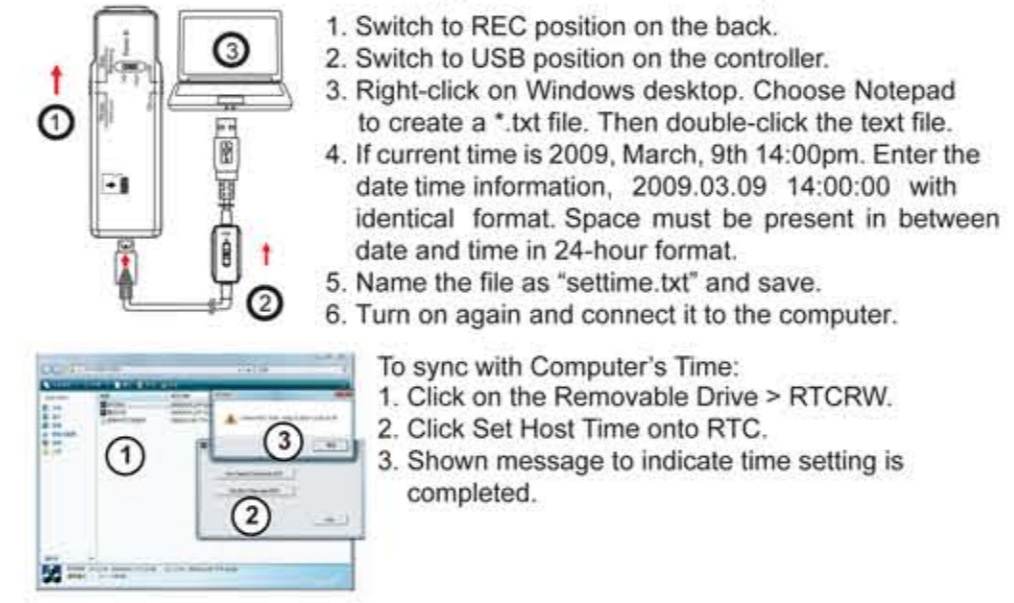
3. Charging Battery



4. Inserting Micro SD card

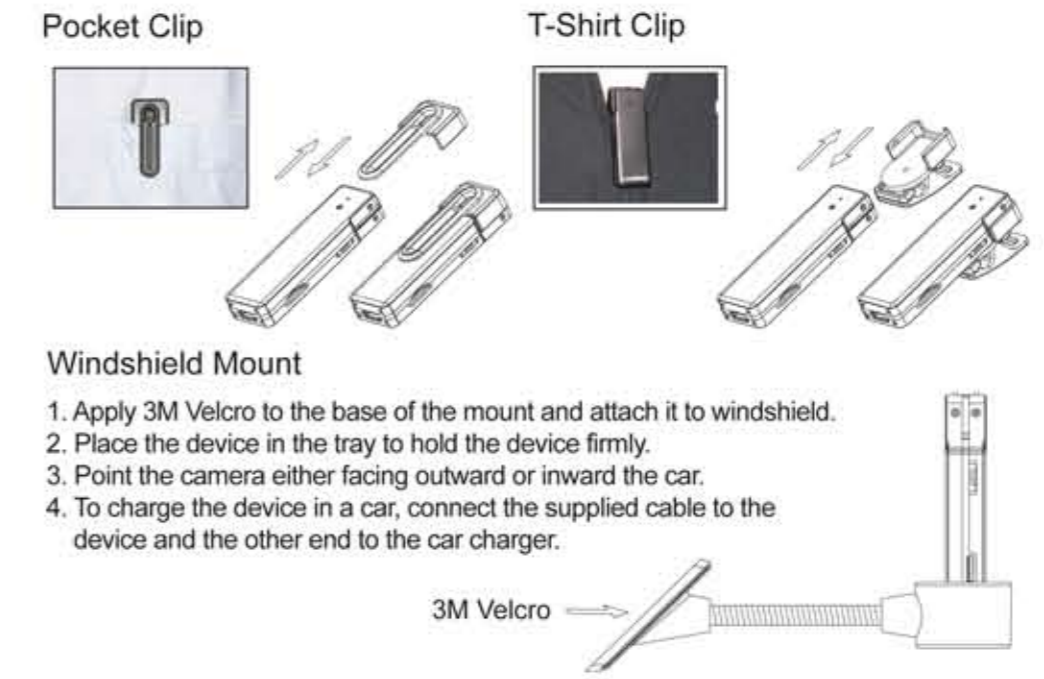


5. Date and Time Setting (for Windows XP)

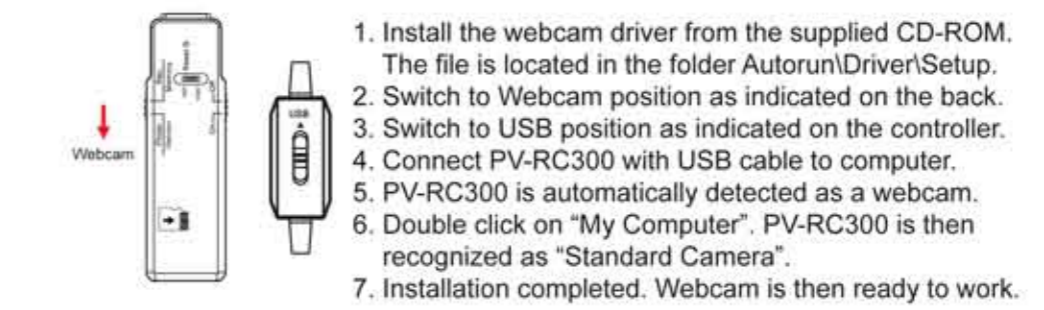


(2)

6. Covert Application



7. Installing Webcam Driver Installation

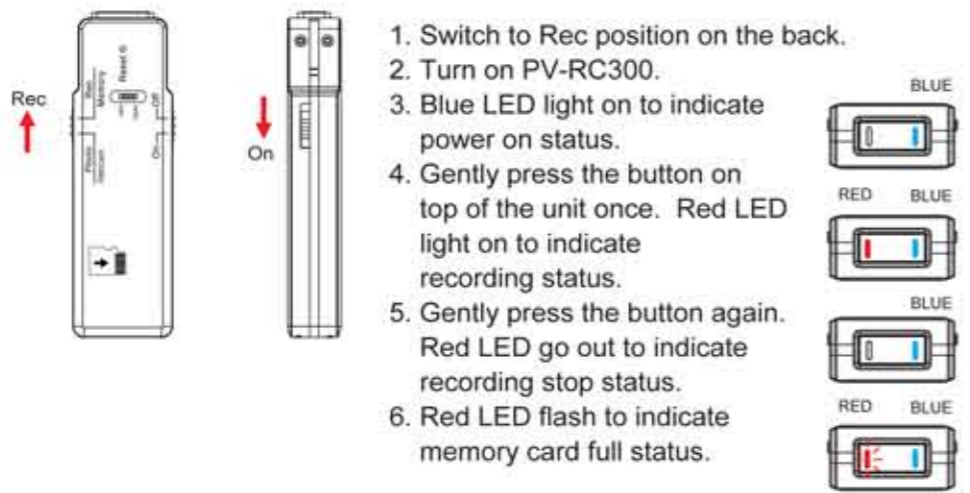


(3)

8. Accessing Webcam Function

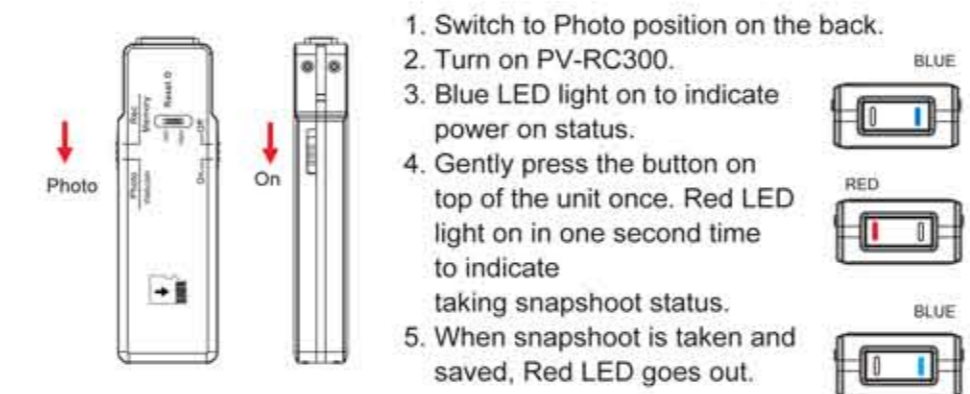
- Option (1)**
- Without microSD card inserted, connect PV-RC300 to computer with USB cable.
 - After connection is established, turn on PV-RC300.
 - Turn on installed AMCap application and access webcam function.
- Option (2)**
- With microSD card inserted, turn on PV-RC300 without cable connection.
 - Connect PV-RC300 with USB cable.
 - Turn on installed AMCap and access webcam function.

9. Video Recording

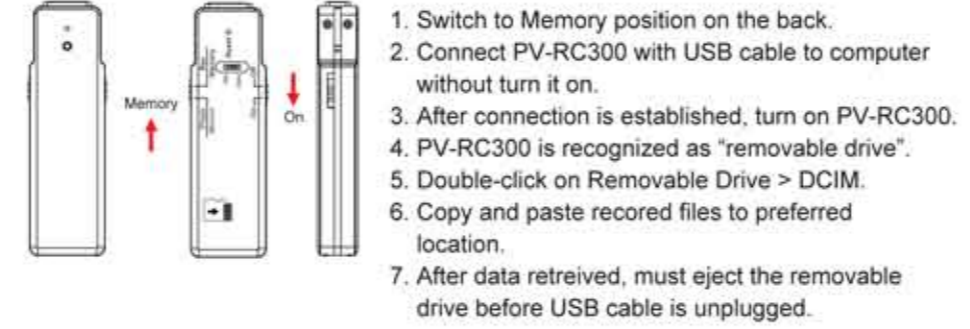


(4)

10. Picture Taking



11. Retrieving Data



(5)

PV-RC300+ Cam Stick with Clipper Design Quick Guide

